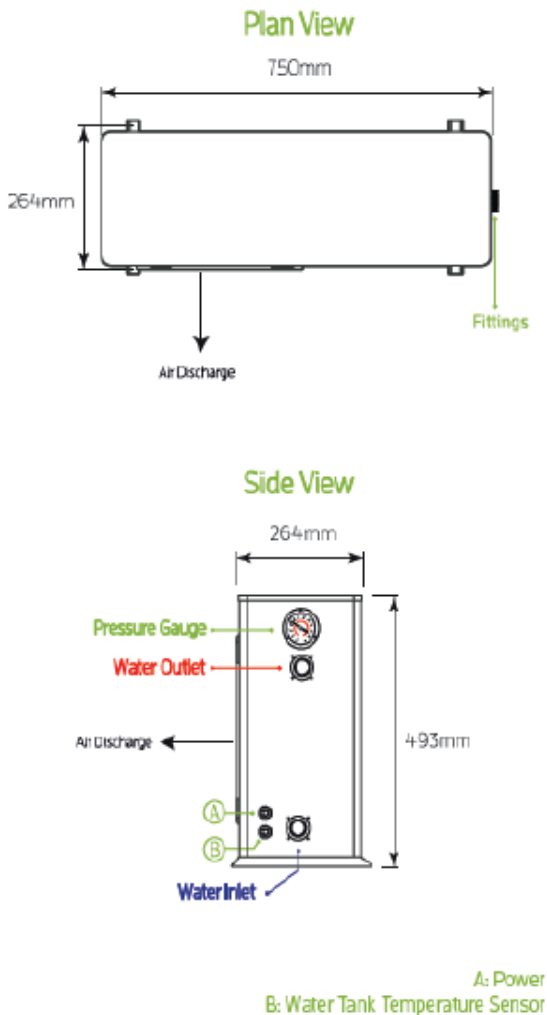




heat pumps

DOMESTIC HOT WATER HEAT PUMPS

- **3.8 KW Heat Pump**



Technical Specifications			
Heating Output*	3.8 kW		
Coefficient of Performance (COP)	3.9		
Hot Water Yield*	80 L/hour		
Default / Max. Water Temperature	55°C	60°C	
Working Ambient Temperature Range	-15°C to 43°C		
Input Voltage / Frequency / Phase	220 – 240 V	50 Hz	1 phase
Power Input (With Pump)*	0.9 KW		
Max. Current / 55°C Running Current*	6.2 A	3.97 A	
Starting Current	18 A		
IP Rating	Outdoor Rated IPX4		
Electrical Protection	IEC Protection Class I		
Water Heat Exchanger Material / Type	Copper	Shell Tube	
Min. / Recommended Water Flow Rate	0.6 m ³ /hour	1.2 m ³ /hour	
Water Circulation Pump	Wilo RS 15/6		
Water Pressure Drop / Max. Pressure	20 kPa / 4.2 MPag		
Water Inlet / Outlet Fittings	DN20 BSP ¾ " Female		
Refrigerant Type / Quantity	R-410A	0.65 Kg	
Compressor Type/Band	Rotary	Mitsubishi	
Noise Level at 1 Meter	< 52 dB(A)		
Controller	Multifunction LCD Controller		
Net / Gross Weight	37 Kg	43 Kg	
Heat Pump Unit Dimensions	750 x 264 x 493 mm		

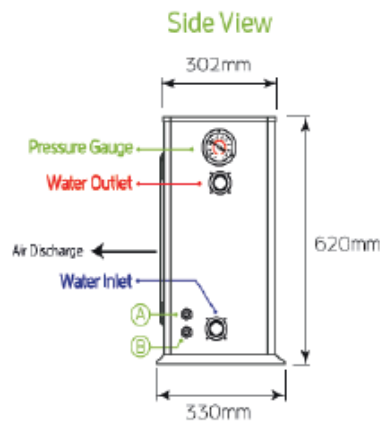
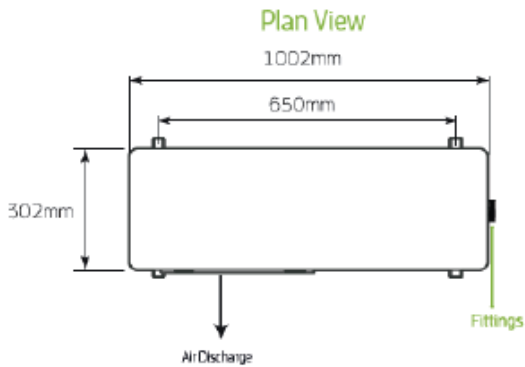
*Ambient Air temperature 20°C (DB)/15°C (WB), initial/final water temperature 15°C / 55°C.



heat pumps

DOMESTIC HOT WATER HEAT PUMPS

- 7.6 KW Heat Pump



A: Power
B: Water Tank Temperature Sensor

Technical Specifications			
Heating Output*	7.6 kW		
Coefficient of Performance (COP)	4.25		
Hot Water Yield*	155 L/hour		
Default / Max. Water Temperature	55°C	60°C	
Working Ambient Temperature Range	-15°C to 43°C		
Input Voltage / Frequency / Phase	220 – 240 V	50 Hz	1 phase
Power Input (With Pump)*	1.79 KW		
Max. Current / 55°C Running Current*	12.4 A	8.2 A	
Starting Current	35 A		
IP Rating	Outdoor Rated IPX4		
Electrical Protection	IEC Protection Class I		
Water Heat Exchanger Material / Type	Copper	Shell Tube	
Min. / Recommended Water Flow Rate	1.2 m ³ /hour	2.3 m ³ /hour	
Water Circulation Pump	Wilo RS 15/6		
Water Pressure Drop / Max. Pressure	25 kPa / 4.2 MPag		
Water Inlet / Outlet Fittings	DN20 BSP ¼ " Female		
Refrigerant Type / Quantity	R-410A	0.95 Kg	
Compressor Type/Band	Rotary	Mitsubishi	
Noise Level at 1 Meter	< 54 dB(A)		
Controller	Multifunction LCD Controller		
Net / Gross Weight	60 Kg	65 Kg	
Heat Pump Unit Dimensions	1002 x 302 x 620 mm		

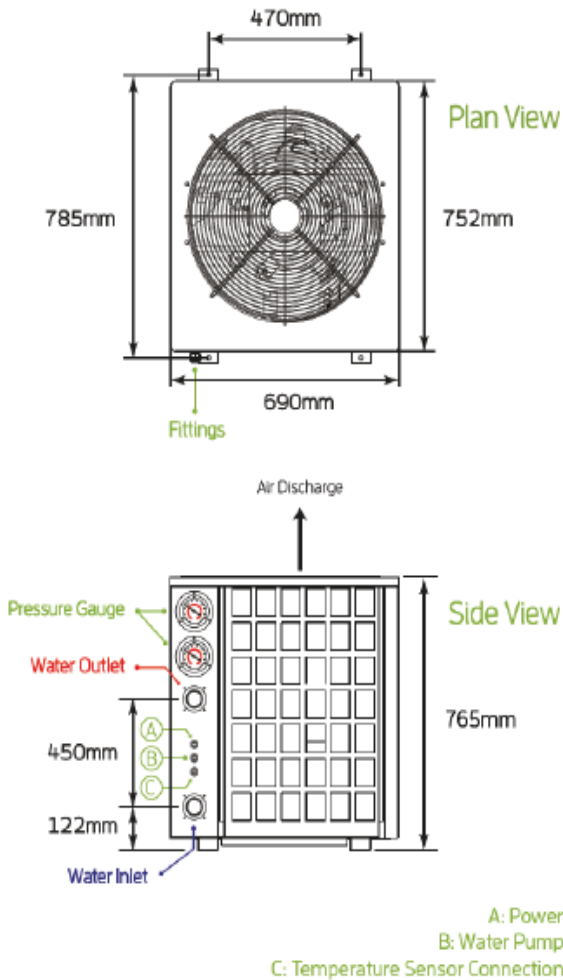
*Ambient Air temperature 20°C (DB)/15°C (WB), initial/final water temperature 15°C / 55°C.



heat pumps

DOMESTIC HOT WATER HEAT PUMPS

- **10.5 KW Heat Pump**



Technical Specifications			
Heating Output*	10.5 kW		
Coefficient of Performance (COP)	4.12		
Hot Water Yield*	266 L/hour		
Default / Max. Water Temperature	55°C	60°C	
Working Ambient Temperature Range	-15°C to 43°C		
Input Voltage / Frequency / Phase	220 – 240 V	50 Hz	1 phase
Power Input (With Pump)*	2.55 KW		
Max. Current / 55°C Running Current*	17.5 A	12.5 A	
Starting Current	63 A		
IP Rating	Outdoor Rated IPX4		
Electrical Protection	IEC Protection Class I		
Water Heat Exchanger Material / Type	Copper	Shell Tube	
Min. / Recommended Water Flow Rate	2 m ³ /hour	2.5 m ³ /hour	
Water Pressure Drop / Max. Pressure	30 kPa / 4.2 MPag		
Water Inlet / Outlet Fittings	DN25 BSP 1 " Female		
Refrigerant Type / Quantity	R-410A	2 Kg	
Compressor Type/Band	Rotary	Toshiba	
Noise Level at 1 Meter	< 55 dB(A)		
Controller	Multifunction LCD Controller		
Net / Gross Weight	87 Kg	103 Kg	
Heat Pump Unit Dimensions	752 x 690 x 765 mm		

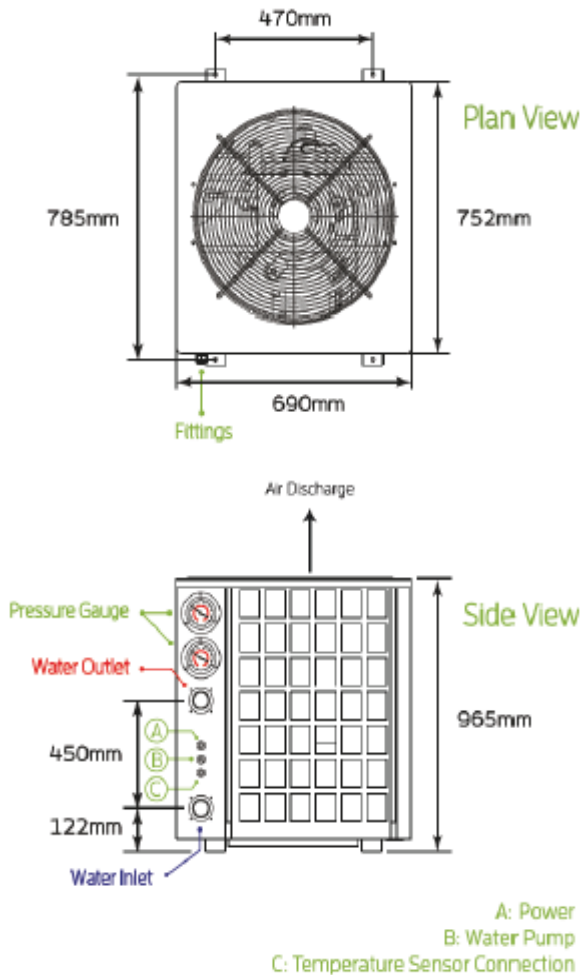
*Ambient Air temperature 20°C (DB)/15°C (WB), initial/final water temperature 15°C / 55°C.



heat pumps

DOMESTIC HOT WATER HEAT PUMPS

- **19 KW Heat Pump**



Technical Specifications			
Heating Output*	19 kW		
Coefficient of Performance (COP)	4.18		
Hot Water Yield*	408 L/hour		
Default / Max. Water Temperature	55°C	60°C	
Working Ambient Temperature Range	-15°C to 43°C		
Input Voltage / Frequency / Phase	380 – 415 V	50 Hz	3 phase
Power Input (With Pump)*	4.55 KW		
Max. Current / 55°C Running Current*	11 A	7.8 A	
Starting Current	52 A		
IP Rating	Outdoor Rated IPX4		
Electrical Protection	IEC Protection Class I		
Water Heat Exchanger Material / Type	Copper	Shell Tube	
Min. / Recommended Water Flow Rate	4.1 m ³ /hour	5 m ³ /hour	
Water Pressure Drop / Max. Pressure	40 kPa / 4.2 MPag		
Water Inlet / Outlet Fittings	DN25 BSP 1 " Female		
Refrigerant Type / Quantity	R-410A	3 Kg	
Compressor Type/Band	Scroll	Sanyo	
Noise Level at 1 Meter	< 57 dB(A)		
Controller	Multifunction LCD Controller		
Net / Gross Weight	119 Kg	137 Kg	
Heat Pump Unit Dimensions	752 x 715 x 965 mm		

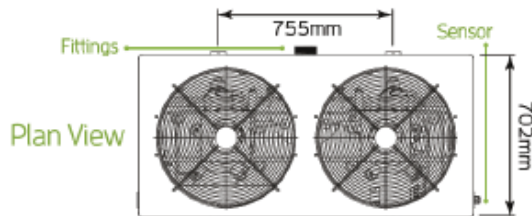
*Ambient Air temperature 20°C (DB)/15°C (WB), initial/final water temperature 15°C / 55°C.



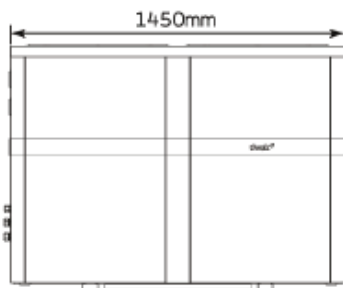
heat pumps

DOMESTIC HOT WATER HEAT PUMPS

- **45 KW Heat Pump**

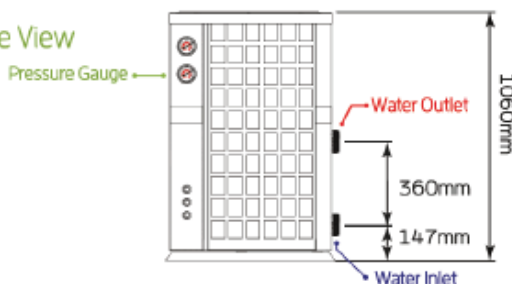


Plan View



Front View

Side View



Technical Specifications			
Heating Output*	45 kW		
Coefficient of Performance (COP)	4.17		
Hot Water Yield*	967 L/hour		
Default / Max. Water Temperature	55°C	60°C	
Working Ambient Temperature Range	-15°C to 43°C		
Input Voltage / Frequency / Phase	380 – 415 V	50 Hz	3 phase
Power Input (With Pump)*	10.8 KW		
Max. Current / 55°C Running Current*	27.9 A	18.6 A	
Starting Current	77 A		
IP Rating	Outdoor Rated IPX4		
Electrical Protection	IEC Protection Class I		
Water Heat Exchanger Material / Type	Copper	Shell Tube	
Min. / Recommended Water Flow Rate	9.7 m ³ /hour		
Water Pressure Drop / Max. Pressure	55 kPa / 4.2 MPag		
Water Inlet / Outlet Fittings	DN25 BSP 1 " Female		
Refrigerant Type / Quantity	R-410A	3.3x2 Kg	
Compressor Type/Band	Scroll	Sanyo	
Noise Level at 1 Meter	< 61 dB(A)		
Controller	Multifunction LCD Controller		
Net / Gross Weight	268 Kg	316 Kg	
Heat Pump Unit Dimensions	1450 x 727 x 1260 mm		

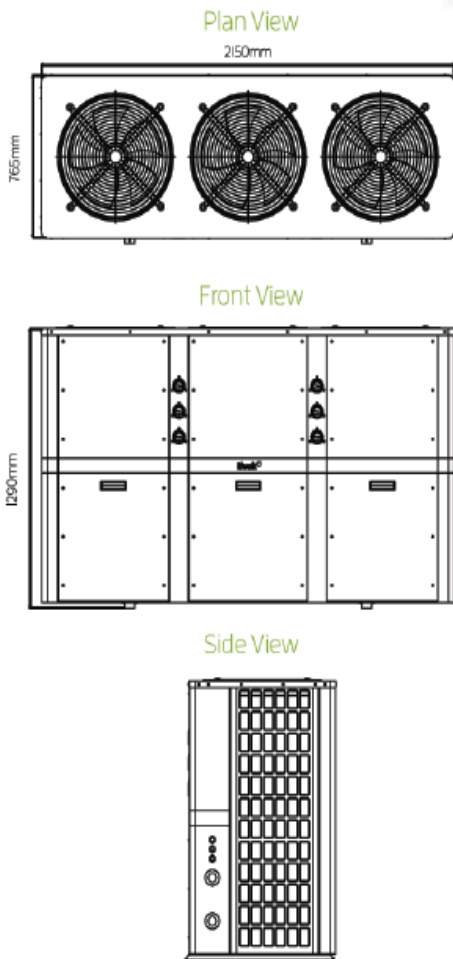
*Ambient Air temperature 20°C (DB)/15°C (WB), initial/final water temperature 15°C / 55°C.



heat pumps

DOMESTIC HOT WATER HEAT PUMPS

- **63 KW Heat Pump**



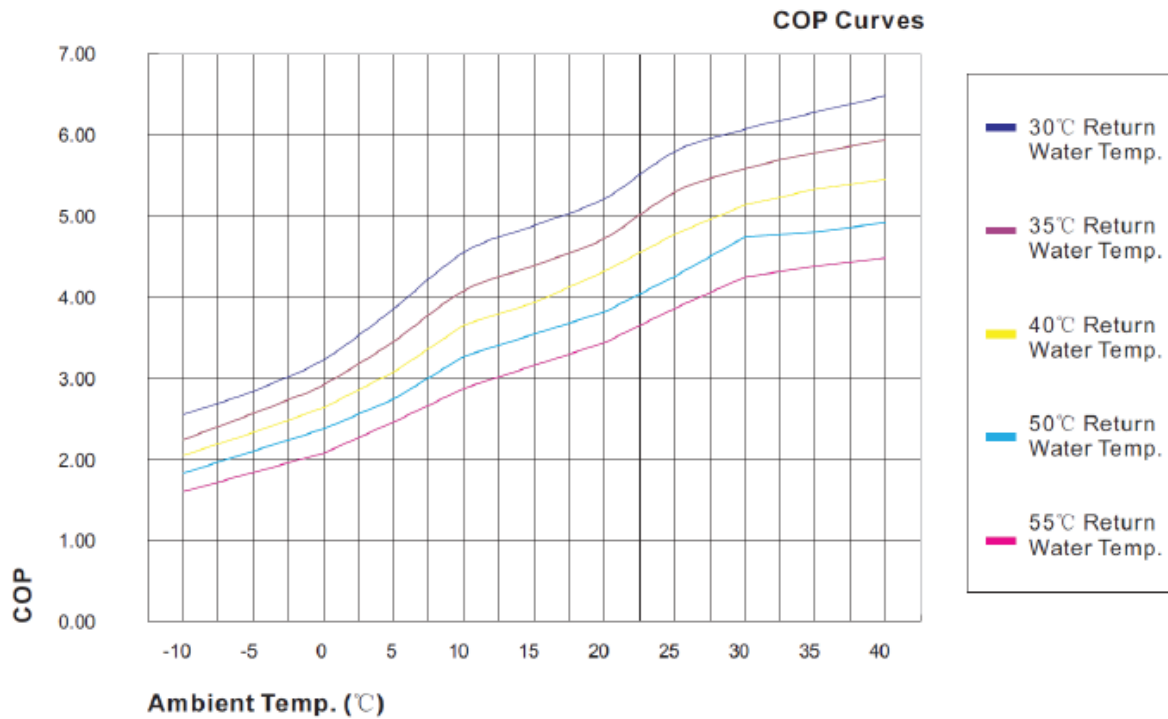
Technical Specifications			
Heating Output*	63 kW		
Coefficient of Performance (COP)	3.94		
Hot Water Yield*	1354 L/hour		
Default / Max. Water Temperature	55°C	60°C	
Working Ambient Temperature Range	-15°C to 43°C		
Input Voltage / Frequency / Phase	380 – 415 V	50 Hz	3 phase
Power Input (With Pump)*	16 KW		
Max. Current / 55°C Running Current*	42 A	27.5 A	
Starting Current	113 A		
IP Rating	Outdoor Rated IPX4		
Electrical Protection	IEC Protection Class I		
Water Heat Exchanger Material / Type	Copper	Shell Tube	
Min. / Recommended Water Flow Rate	13.5 m ³ /hour		
Water Pressure Drop / Max. Pressure	55 kPa / 4.2 MPag		
Water Inlet / Outlet Fittings	DN50 BSP 2 " Female		
Refrigerant Type / Quantity	R-410A	3.3x3 Kg	
Compressor Type/Band	Scroll	Sanyo	
Noise Level at 1 Meter	< 63 dB(A)		
Controller	Multifunction LCD Controller		
Net / Gross Weight	398 Kg	460 Kg	
Heat Pump Unit Dimensions	2150 x 765 x 1290 mm		

*Ambient Air temperature 20°C (DB)/15°C (WB), initial/final water temperature 15°C / 55°C.

DOMESTIC HOT WATER HEAT PUMPS COEFFICIENT OF PERFORMANCE CURVES



- Side Air Discharge Models



- Top Air Discharge Models

